

InnoVision

L I G H T I N G

BY DCbright



TEMP SPECSHEET - 2020
LED LIGHTING SOLUTIONS

ABOUT INNOVISION

InnoVision Lighting is a European Owned Lighting Company with Dutch research and development and manufacturing in Ningbo China. We combine excellence in design and manufacturing from these two specific regions to deliver the most cost effective innovative luminaires to the international lighting market. Both regions have a long-established history in the lighting industry.

THE COMPANY PROFILE

InnoVision Lighting has its roots firmly established in Hollands long history in the lighting industry. The Woelders family from Holland have been in lighting for two generations. The family has a deep understanding and commitment to the international lighting industry. The focus in 2020 is to deliver innovative European quality designed luminaires from their new world class manufacturing facility in Ningbo China, to the international market. The combination of excellence in design and manufacturing from these two regions provides customers with innovative quality luminaires, economically. InnoVision Lighting provides the ultimate lighting proposition.



INNOVISION DARK LIGHT

The Dark Licht Series of light fittings were developed to meet the increasing market demand for optimum flexibility and efficiency in glare free cut-off flood lights.

The design concept focused on the fitting having a modular optic system providing multiple light distributions and the option to be utilised in both architectural and industrial applications.



Unique Highly Efficient Reflector System[®]

The Patent innovative high performance reflector design maximises luminaire efficiency, providing 167 lumens per watt fixture light output.

Unique Adjustable full Cut-Off[®] from 57° to 70°

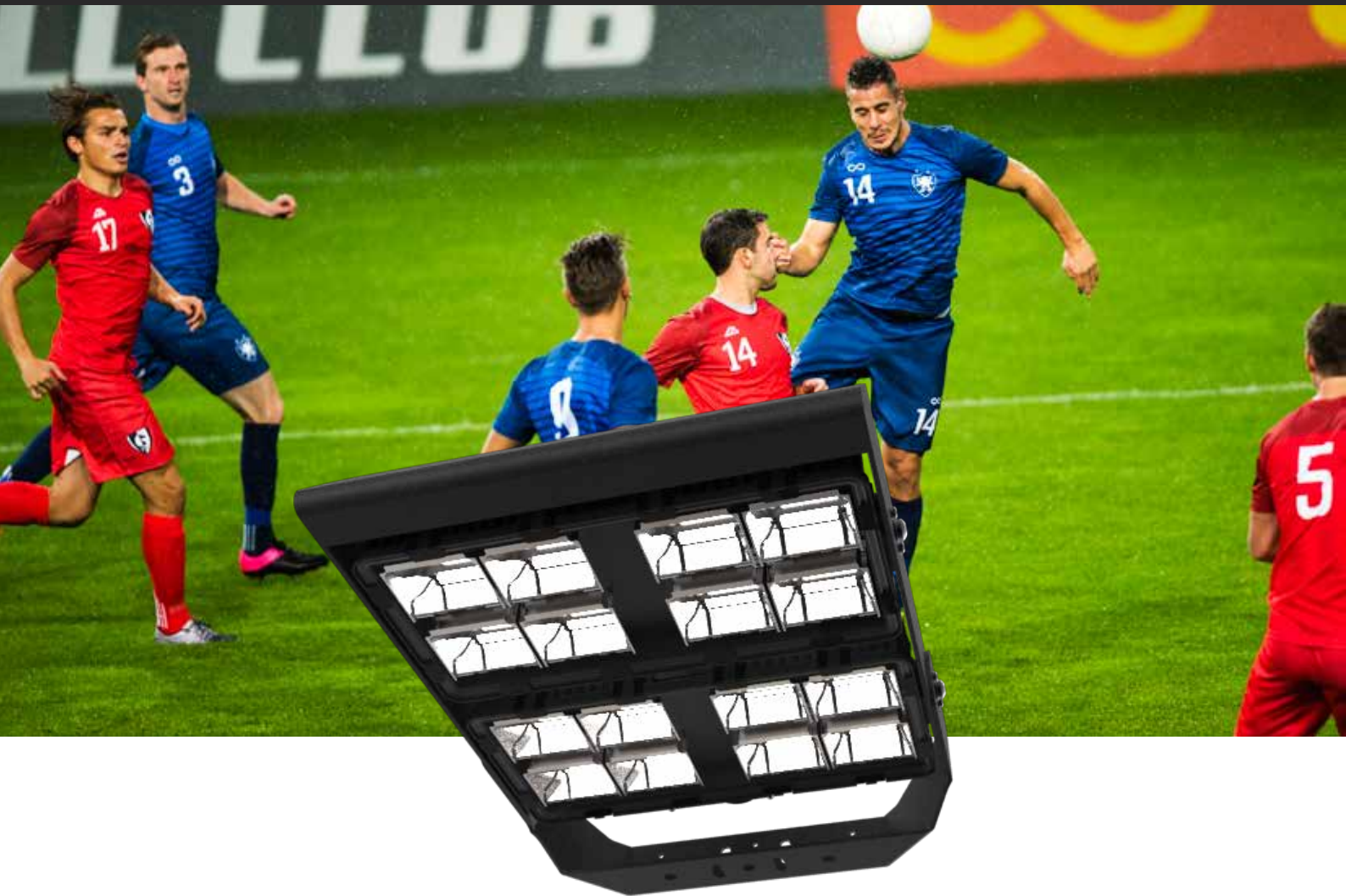
Unique patented adjustable forward asymmetric light distribution from 57° to 70°. Adjustments of the forward beam can be made by the installation contractor, pre-installation to meet the requirements of the lighting application.

Unique Modular Rotating Reflectors[®]

The square unique parabolic internal high performance reflector modules in the fitting can rotate in both directions by 90° to completely alter the light distribution of the fitting.

Unique Glare Free Optic[®]

The powerful LED light sources are concealed inside the patented highly efficient deep parabolic reflector system. Outside the full cut-off there is no light visible.



HIGHLY EFFICIENT REFLECTOR SYSTEM[®]

The InnoVision Dark Licht Series utilises the highest quality LED's, reflector material, treatments and glass available worldwide. This patented break through technology produces 167 fixture lumens per watt.

The fixture efficiency of the fitting is so high, a flat glass lens seals the fitting providing a static free optical system. The much lower dust and dirt build up on the glass lens greatly improves light output of the fitting over the life of the product.

By using well-developed reflectors, the full output of the lamp is used on the surface to be illuminated. As a result, the DarkLicht series will generally achieve the same result with a lower lumen output as the competitor.

In addition, the optic uses a very equal light distribution, which is divided over a square field in front of the lamp. This makes it easy to illuminate sports fields, storage areas and parking areas.

Due to the convenience of the evenly distributed square light surface and the horizontal hanging of the lamp, the DarkLicht Series will be very easy to install: Flat & Perpendicular to the field.

Unique Adjustable Full Cut-Off®

Dark Licht series has the option to simply adjust the full cut-off. This adjustment can be easily carried out pre-installation without using professional tools.

Available full cut-off adjustments: 57° - 60° - 63° - 67° - 70°

Simple adjustment of the reflector to change the full cut-off in the field, pre-installation. Often there are slight differences between the proposed design and what actually occurs on site during installation. For example the pole is higher, in a different location or not perfectly straight. The light distribution can, if needed be altered on site to accommodate small changes. The opportunity to supply on time and not have to order in alternative optics for the light fittings is removed and this reduces delays on the project. The reflector adjustable full cut-off is also complimented by the mounting arm two directional screws, for minor lateral adjustment during installation.

Due to the fullcut-off at 70°, the lamp can easily tilt 10° without losing the well known term "Full Cut-Off". At this moment there will still be no light shining up and there is not enough light in the 80-90° range. Even if the lamp were to be tilted 10° further, which amounts to 20° total, the DarkLight will still shine <2.5% light upwards. Conclusion: **The DarkLicht has no light pollution.**



UNIQUE MODULAR ROTATING REFLECTORS®

To keep the use of this lamp as universal as possible, we have designed the optics in such a way that they are rotatable. each lamp consists of eight modules, these modules are rotatable. a lamp can therefore consist of 2 left, 2 right and 4 modules shining forward

The square unique parabolic internal high performance reflector modules in the fitting can rotate in both directions by 90° to completely alter the light distribution of the fitting. Subject to the lighting design the reflectors inside the fitting can be rotated to meet the specific lighting application requirements.

This unique feature provides several light distribution options in each fitting. The unique flexibility of the Dark Light removes the requirement to order a variety of different fittings for the one project. Now with the Dark Light, only one light fitting type is required for the whole project.



UNIQUE GLARE-FREE OPTIC[®]

In order to prevent light pollution or 'glare' (light that falls outside the desired distribution angle) InnoVision designed the Dark Light series to be fully Glare-Free!

LED light sources are hidden in the back of the reflector system. Inside the field of view the actual light source is hidden back inside the parabolic reflector system. Outside the field of view the light source becomes invisible. This single feature provides lighting designers with confidence to install the Dark Light and know the light fitting will not be visible by spectators and neighbouring properties near the lighting installation. This means there will be no complaints that the lights and LED light sources are visible from the general public, outside the facility.





1. OPEN LUMINAIRE DESIGN

The Dark Licht high pressure 7mm thick aluminium casting was designed specifically to produce a “thermal chimney” effect and dramatically improve cooling. Air is drawn through specific zones in the castings that cool the fitting and improve light output and reliability.

2. LOW WIND RATING

The Dark Licht has a very narrow profile and reduced “sail area”. The smaller size and lower wind rating reduces pole costs on new installations.

3. DARKLICHT PATENTED MODULES

The Dark Licht has 5 ground breaking features:

1. Unique Highly Efficient Reflector System®
2. Unique adjustable forward light distribution full cut-off® from 57° to 70°
3. Unique Modular Rotating Reflectors®
4. Unique Glare Free Optic®
5. Unique capability to tilt the fitting 15° above horizontal and produce Full Cut-Off. This increases the forward full cut-off range from 57° \leftrightarrow 70° to 72° \leftrightarrow 85°.

Those features are unique due to the fact there is not a single light which could match those specifications.

4. HIGH EFFICIENT LED'S

The DarkLicht Series comes standard with the highest quality 3 step MacAdam Ellipse 5,000k LED's and is available with different light color if specified.

5. MOUNTING BRACKET

Universal mounting bracket, fits most standardised poles and got the option to mount the luminaire under swing.

6. DRIVER BOX

The external pressure cast aluminium driver box can be attached on the back of the DarkLicht. The external box could also be placed on the bottom of the pole or elsewhere.

7. LIGHT ANGLE ADJUSTMENT

The DarkLicht Series is designed to face downwards in the horizontal position. The low brightness and sharp cut off the optical systems allows the DarkLicht to be tilted up 15° above horizontal and still provide full cut-off at 90°.

8. HIGH EFFICIENCY THERMAL MANAGEMENT

- Passive thermal cooling management
- Active thermal control system
- Optimal airflow due to open space between lights
- Improves lumen performance and reliability

9. JUNCTION BOX

- Simply connect all cables inside J-Box
- Fitted with an breather
- All cables and glands are protected by a shield

DARKLIGHT CLASS I MODELS

DARKLIGHT ONE

Available versions:

320W 50 000 lm	400W 67 000 lm	600W 100 000 lm
-------------------	-------------------	--------------------



DARKLIGHT TWO

Available versions:

800W 134 000 lm	1200W 200 000 lm
--------------------	---------------------



DARKLIGHT THREE

Available versions:

1800W 300 000 lm



PERFORMANCE SUMMARY

Highly Efficient Reflector System[®]

Modular Rotating Reflector System[®]

Adjustable Full Cut-Off[®] from 55° to 70°

Glare Free Optic[®] from 55° to 70°

CRI: Standard: >70 CRI | Optional: >80 CRI, >90 CRI

Limited Warranty: 7 Years on luminaire

CCT: Standard: 5000K | Optional: 2200K, 2700K, 4000K

Fixture Weight: Weight per model in spec sheet

Dutch Design.

DARKLIGHT ONE

Designed in Europe to meet the demanding requirements of Urban living within residential communities. The Dark Light One - 600w LED light fitting delivers 100,000 lumens.

There are numerous flood lighting applications, from illuminating airports, car parks, retail facilities, sporting facilities, through to industrial areas, ports, stockpiles and storage yards.

DARKLIGHT ONE SPECIFICATIONS

PRODUCT SPECIFICATIONS

Brand	InnoVision
Model	DL1-AC-320W-50 DL1-AC-400W-67 DL1-AC-600W-100
Limited warranty	7 Years

ELECTRICAL

Power range	320W (internal driver) 400W (internal driver) 600W (external driver)
Voltage range	90-305Vac / 127-420Vdc (320W) 180-528Vac / 250-740Vdc (600W, 320W on request)
Frequency	50 / 60 Hz
Power factor	> 0.9

PERFORMANCE

Fixed lumen output	50 000lm (320W) 67 000lm (400W) 100 000 lm (600W)
Fixture lumen efficiency	167 lm/W
Diming input	0 - 10V
Temperature control	Yes
Light distribution	Asymmetrical - adjustable cut-off
Light adjustment range	57° - 70° Full cut-off
CRI	Standard: >70 Optional: >80, >90
LED chip binning	3 Step MacAdam Ellipse LED's
Light color:	Standard: 5000k Optional: 2200k, 2700k, 4000k

Driver options	Internal driver (320W & 400W) Remote or rear mounted (600W)
Operation temp range	-40°C ~ +50°C
Expected life span	LM80, 100 000 Hours to 80% brightness
Waterproof rating	IP65
Impact rating	IK07
Wireless control system	Estimated release 2021

MATERIALS

Lamp body	Aluminium alloy
Driver box	Aluminium alloy
Mounting arm	High tensile steel
Hardware	304 Stainless steel
Paint	Conversion coating + 2 layers titanium based e-coating (grey)

SIZE & WEIGHT

Lamp dimension Industrial	365 x 550 x 160 mm
Lamp dimension Architect	445 x 550 x 160 mm
Driver dimension	450 x 300 x 140 mm
Lamp weight Industrial	14.9 kg 320W (internal driver) 15.5 kg 400W (internal driver) 13.9 kg 600W
Lamp weight Architect	16.0 kg 320W (internal driver) 16.6 kg 400W (internal driver) 15.0 kg 600W
Driver weight	8.6 kg (600W)

DARKLICHT ONE BRACKET OPTIONS

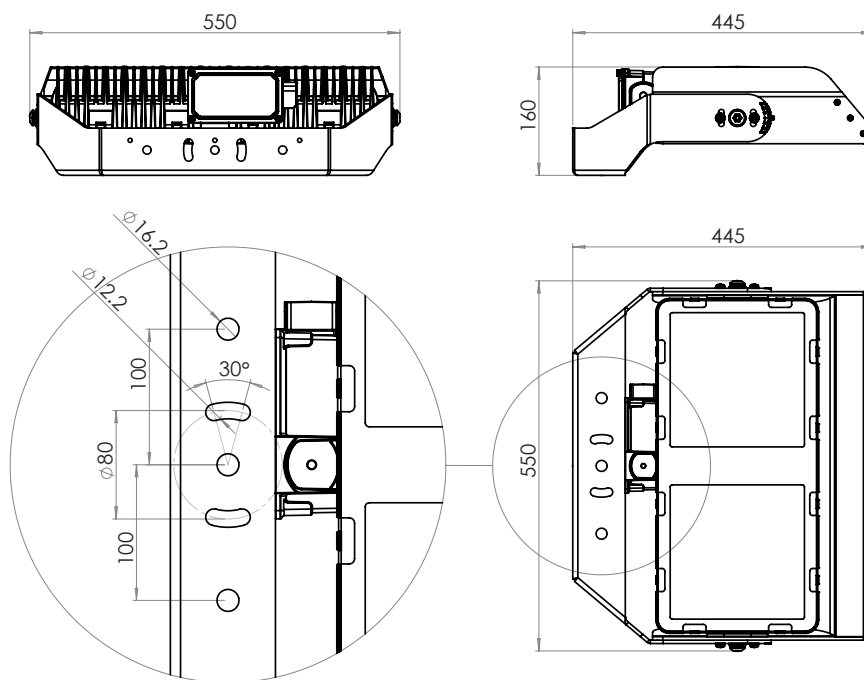
INDUSTRIAL



ARCHITECTUAL



DARKLICHT ONE MEASUREMENTS



DARKLICHT TWO

Designed in Europe to meet the demanding requirements of Urban living within residential communities. The Dark Licht Two - 1200w LED light fitting delivers 200,000 lumens.

There are numerous flood lighting applications, from illuminating airports, car parks, retail facilities, sporting facilities, through to industrial areas, ports, stockpiles and storage yards.

DARKLICHT TWO SPECIFICATIONS

PRODUCT SPECIFICATIONS

Brand	InnoVision
Model	DL2-AC-800W-134 DL2-AC-1200W-200
Limited warranty	7 Years

ELECTRICAL

Power range	800W (internal driver) 1200W (external driver)
Voltage range	180-528Vac / 250-740Vdc
Frequency	50 / 60 Hz
Power factor	> 0.9

PERFORMANCE

Fixed lumen output	134 000 lm (800W) 200 000 lm (1200W)
Fixture lumen efficiency	167 lm/W
Diming input	0 - 10V
Temperature control	Yes
Light distribution	Asymmetrical - adjustable cut-off
Light adjustment range	57° - 70° Full cut-off
CRI	Standard: >70 Optional: >80, >90
LED chip binning	3 Step MacAdam Ellipse LED's
Light color:	Standard: 5000k Optional: 2200k, 2700k, 4000k
Driver options	Remote or rear mounted
Operation temp range	-40°C ~ +50°C

Expected life span	LM80, 100 000 Hours to 80% brightness
Waterproof rating	IP65
Impact rating	IK07
Wireless control system	Estimated release 2021

MATERIALS

Lamp body	Aluminium alloy
Driver box	Aluminium alloy
Mounting arm	High tensile steel
Hardware	304 Stainless steel
Paint	Conversion coating + 2 layers titanium based e-coating (grey)

SIZE & WEIGHT

Lamp dimension Industrial	635 x 550 x 160 mm
Lamp dimension Architect	715 x 550 x 160 mm
Driver dimension	450 x 300 x 140 mm
Lamp weight Industrial	28.0 kg 800W (internal driver) 24.8 kg 1200W
Lamp weight Architect	28.2 kg 800W (internal driver) 25.0 kg 1200W
Driver weight	10.8 kg (1200W)

DARKLIGHT TWO BRACKET OPTIONS

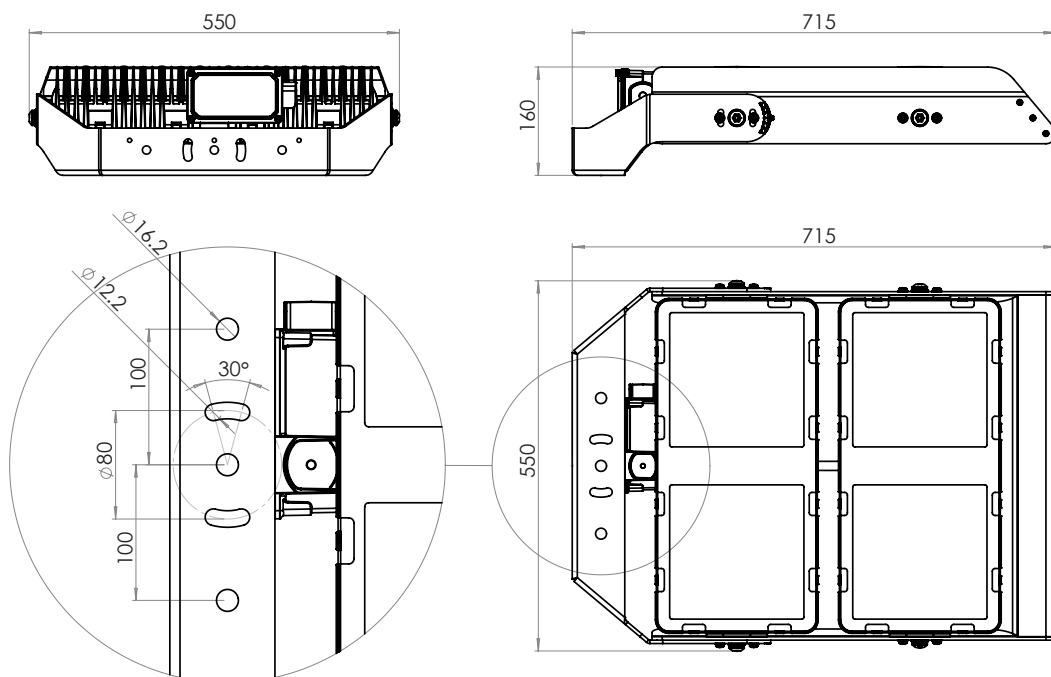
INDUSTRIAL



ARCHITECTUAL



DARKLIGHT TWO MEASUREMENTS



DARKLICHT THREE

Designed in Europe to meet the demanding requirements of Urban living within residential communities. The Dark Licht Three - 1800w LED light fitting delivers 300,000 lumens.

There are numerous flood lighting applications, from illuminating airports, carparks, retail facilities, sporting facilities, through to industrial areas, ports, stockpiles and storage yards.

DARKLICHT THREE SPECIFICATIONS

PRODUCT SPECIFICATIONS

Brand	InnoVision
Model	DL3-AC-1800W-300
Limited warranty	7 Years

ELECTRICAL

Power range	1800W (external driver)
Voltage range	180-528Vac / 250-740Vdc
Frequency	50 / 60 Hz
Power factor	> 0.9

PERFORMANCE

Fixed lumen output	300 000 lm (1800W)
Fixture lumen efficiency	167 lm/W
Diming input	0 - 10V
Temperature control	Yes
Light distribution	Asymmetrical - adjustable cut-off
Light adjustment range	57° - 70° Full cut-off
CRI	Standard: >70 Optional: >80, >90
LED chip binning	3 Step MacAdam Ellipse LED's
Light color:	Standard: 5000k Optional: 2200k, 2700k, 4000k
Driver options	Remote or rear mounted
Operation temp range	-40°C ~ +50°C
Expected life span	LM80, 100 000 Hours to 80% brightness

Waterproof rating	IP65
Impact rating	IK07
Wireless control system	Estimated release 2021

MATERIALS

Lamp body	Aluminium alloy
Driver box	Aluminium alloy
Mounting arm	High tensile steel
Hardware	304 Stainless steel
Paint	Conversion coating + 2 layers titanium based e-coating (grey)

SIZE & WEIGHT

Lamp dimension Industrial	905 x 550 x 160 mm
Lamp dimension Architect	985 x 550 x 160 mm
Driver dimension	450 x 300 x 140 mm
Lamp weight Industrial	35.6 kg
Lamp weight Architect	35.0 kg
Driver weight	13.0 kg (1800W)

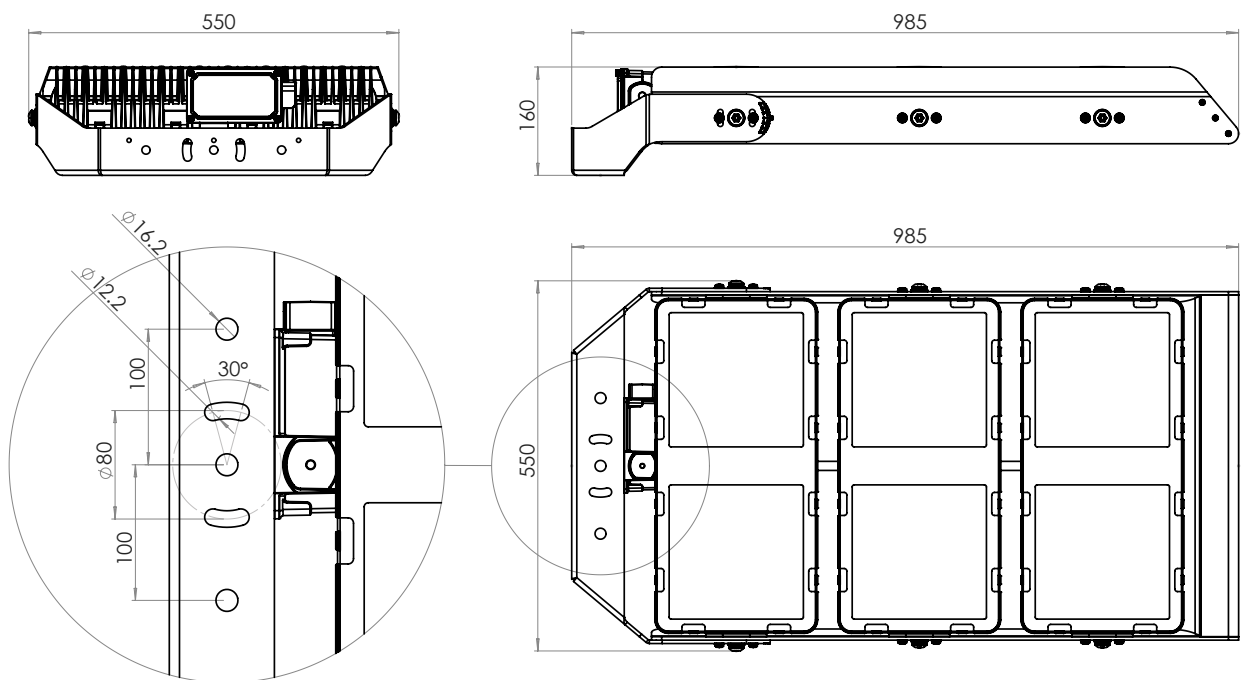
DARKLICHT THREE BRACKET OPTIONS

INDUSTRIAL

ARCHITECTUAL



DARKLICHT THREE MEASUREMENTS



DARKLICHT CLASS II MODELS

DARKLICHT ONE

Available versions:

320W 50 000 lm	480W 80 000 lm
-------------------	-------------------



DARKLICHT TWO

Available versions:

640W 100 000 lm	960W 160 000 lm
--------------------	--------------------



PERFORMANCE SUMMARY

Highly Efficient Reflector System[®]

Modular Rotating Reflector System[®]

Adjustable Full Cut-Off[®] from 55° to 70°

Glare Free Optic[®] from 55° to 70°

CRI: Standard: >70 CRI | Optional: >80 CRI, >90 CRI

Limited Warranty: 7 Years on luminaire

CCT: Standard: 5000K | Optional: 2200K, 2700K, 4000K

Fixture Weight: Weight per model in spec sheet

Dutch Design.

DARKLIGHT ONE CLASS II

Designed in Europe to meet the demanding requirements of Urban living within residential communities. The Dark Light One - 480w LED light fitting delivers 80,000 lumens.

There are numerous flood lighting applications, from illuminating airports, carparks, retail facilities, sporting facilities, through to industrial areas, ports, stockpiles and storage yards.

DARKLIGHT ONE CLASS II SPECIFICATIONS

PRODUCT SPECIFICATIONS

Brand	InnoVision
Model	DL1-AC-320W-50 DL1-AC-480W-80
Limited warranty	7 Years

ELECTRICAL

Power range	320W (internal driver Class II) 480W (external driver Class II)
Voltage range	90-305Vac / 127-420Vdc
Frequency	50 / 60 Hz
Power factor	> 0.9

PERFORMANCE

Fixed lumen output	50 000lm (320W) 80 000 lm (480W)
Fixture lumen efficiency	167 lm/W
Diming input	0 - 10V
Temperature control	Yes
Light distribution	Asymmetrical - adjustable cut-off
Light adjustment range	57° - 70° Full cut-off
CRI	Standard: >70 Optional: >80, >90
LED chip binning	3 Step MacAdam Ellipse LED's
Light color:	Standard: 5000k Optional: 2200k, 2700k, 4000k
Driver options	Internal driver (320W) Remote or rear mounted (480W)

Operation temp range	-40°C ~ +50°C
Expected life span	LM80, 100 000 Hours to 80% brightness
Waterproof rating	IP65
Impact rating	IK07
Wireless control system	Estimated release 2021

MATERIALS

Lamp body	Aluminium alloy
Driver box	Aluminium alloy
Mounting arm	High tensile steel
Hardware	304 Stainless steel
Paint	Conversion coating + 2 layers titanium based e-coating (grey)

SIZE & WEIGHT

Lamp dimension Industrial	365 x 550 x 160 mm
Lamp dimension Architect	445 x 550 x 160 mm
Driver dimension	450 x 300 x 140 mm
Lamp weight Industrial	14.9 kg 320W (internal driver) 13.9 kg 480W
Lamp weight Architect	16.0 kg 320W (internal driver) 15.0 kg 480W
Driver weight	8.0 kg (480W)

DARKLICHT ONE CLASS II BRACKET OPTIONS

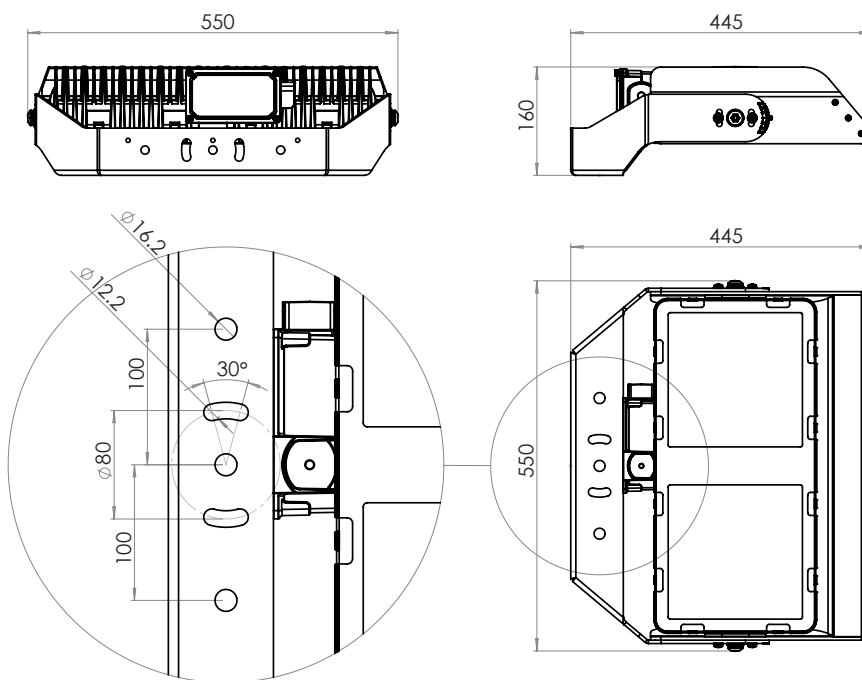
INDUSTRIAL



ARCHITECTUAL



DARKLICHT ONE CLASS II MEASUREMENTS



DARKLICHT TWO CLASS II

Designed in Europe to meet the demanding requirements of Urban living within residential communities. The Dark Licht Two - 960w LED light fitting delivers 160,000 lumens.

There are numerous flood lighting applications, from illuminating airports, carparks, retail facilities, sporting facilities, through to industrial areas, ports, stockpiles and storage yards.

DARKLICHT TWO CLASS II SPECIFICATIONS

PRODUCT SPECIFICATIONS

Brand	InnoVision
Model	DL2-AC-640W-100 DL2-AC-960W-160
Limited warranty	7 Years

ELECTRICAL

Power range	640W (internal driver Class II) 960W (external driver Class II)
Voltage range	90-305Vac / 127-420Vdc
Frequency	50 / 60 Hz
Power factor	> 0.9

PERFORMANCE

Fixed lumen output	100 000 lm (640W) 160 000 lm (960W)
Fixture lumen efficiency	167 lm/W
Diming input	0 - 10V
Temperature control	Yes
Light distribution	Asymmetrical - adjustable cut-off
Light adjustment range	57° - 70° Full cut-off
CRI	Standard: >70 Optional: >80, >90
LED chip binning	3 Step MacAdam Ellipse LED's
Light color:	Standard: 5000k Optional: 2200k, 2700k, 4000k
Driver options	Remote or rear mounted

Operation temp range	-40°C ~ +50°C
Expected life span	LM80, 100 000 Hours to 80% brightness
Waterproof rating	IP65
Impact rating	IK07
Wireless control system	Estimated release 2021

MATERIALS

Lamp body	Aluminium alloy
Driver box	Aluminium alloy
Mounting arm	High tensile steel
Hardware	304 Stainless steel
Paint	Conversion coating + 2 layers titanium based e-coating (grey)

SIZE & WEIGHT

Lamp dimension Industrial	635 x 550 x 160 mm
Lamp dimension Architect	715 x 550 x 160 mm
Driver dimension	450 x 300 x 140 mm
Lamp weight Industrial	26.8 kg 640W (internal driver) 24.8 kg 960W
Lamp weight Architect	27.0 kg 640W (internal driver) 25.0 kg 960W
Driver weight	9.6 kg (960W)

DARKLICHT TWO CLASS II BRACKET OPTIONS

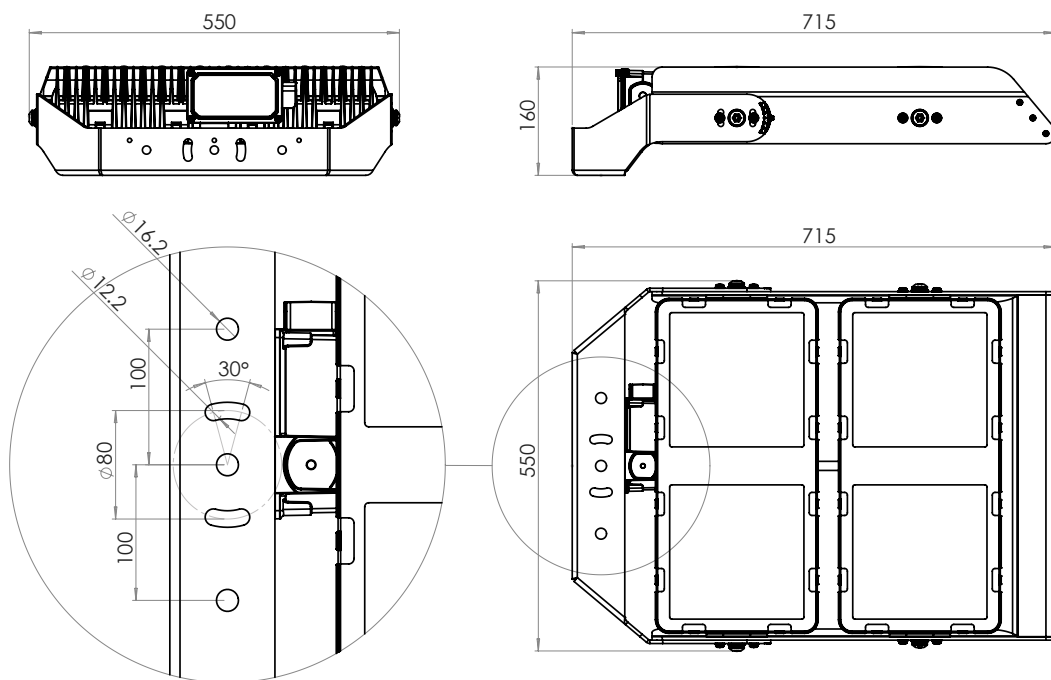
INDUSTRIAL



ARCHITECTUAL



DARKLICHT TWO CLASS II MEASUREMENTS



DARKLICHT DRIVER BOX

Designed in Europe to meet the demanding requirements of urban living and industrial applications. The InnoVision driver box is a solid and robust box in which the drivers are well protected. The box is specially designed so that the installer can easily access the connections without having to open the entire box. Ideal in high and demanding locations.

The InnoVision driver box is ideal for use with our DarkLicht series. The driver box can be connected to the lamp but can also be placed remotely.

DARKLICHT DRIVER BOX SPECIFICATIONS

PRODUCT SPECIFICATIONS

Brand	InnoVision
Model	Drive Box
Waterproof rating	IP65
Limited warranty	7 Years

ELECTRICAL

Power range Class I	320W, 600W, 1200W, 1800W, 2400W
Power range Class II	320W, 480W, 960W, 1440W, 1920W
Voltage input range	90-305Vac / 127-420Vdc 180-528Vac / 250-740Vdc
Frequency	50 / 60 Hz
Power factor	> 0.9

MATERIALS

Driver box	Aluminium alloy
Cable gland	304 Stainless steel
Mounting bracket	High tensile steel
Hardware	304 Stainless steel
Paint	Conversion coating + 2 layers titanium based e-coating (grey)

SIZE & WEIGHT

Driver dimension	450 x 300 x 140 mm
Driver weight 480W	8.0 kg
Driver weight 600W	8.6 kg
Driver weight 960W	9.6 kg
Driver weight 1200W	10.8 kg
Driver weight 1440W	11,2 kg
Driver weight 1800W	13.0 kg
Driver weight 1920W	12,8 kg
Driver weight 2400W	15.2 kg

DARKLIGHT DRIVER BOX BRACKET OPTIONS

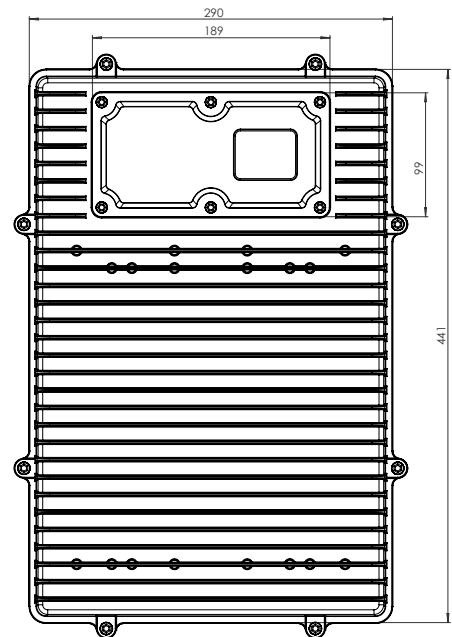
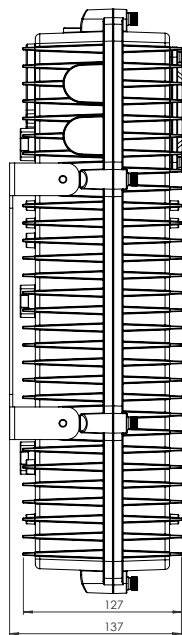
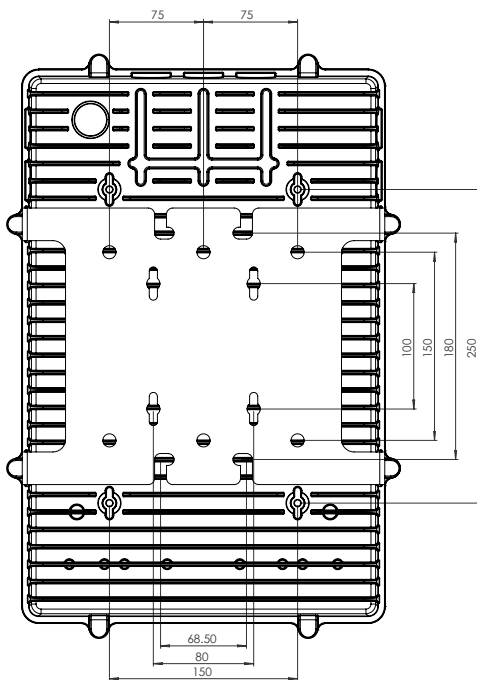
REAR MOUNTED



REMOTE DRIVER



DARKLIGHT DRIVER BOX MEASUREMENTS



PRODUCT BY
INNOVISION LIGHTING

InnoVision
L I G H T I N G
BY DCbright



OFFICIAL DISTRIBUTOR
NEXT GENERATION LED

e-mail: Info@nextgenerationled.be
phone: +32 (0)53 71 09 42
Website: www.nextgenerationled.be

ngl 
next generation led